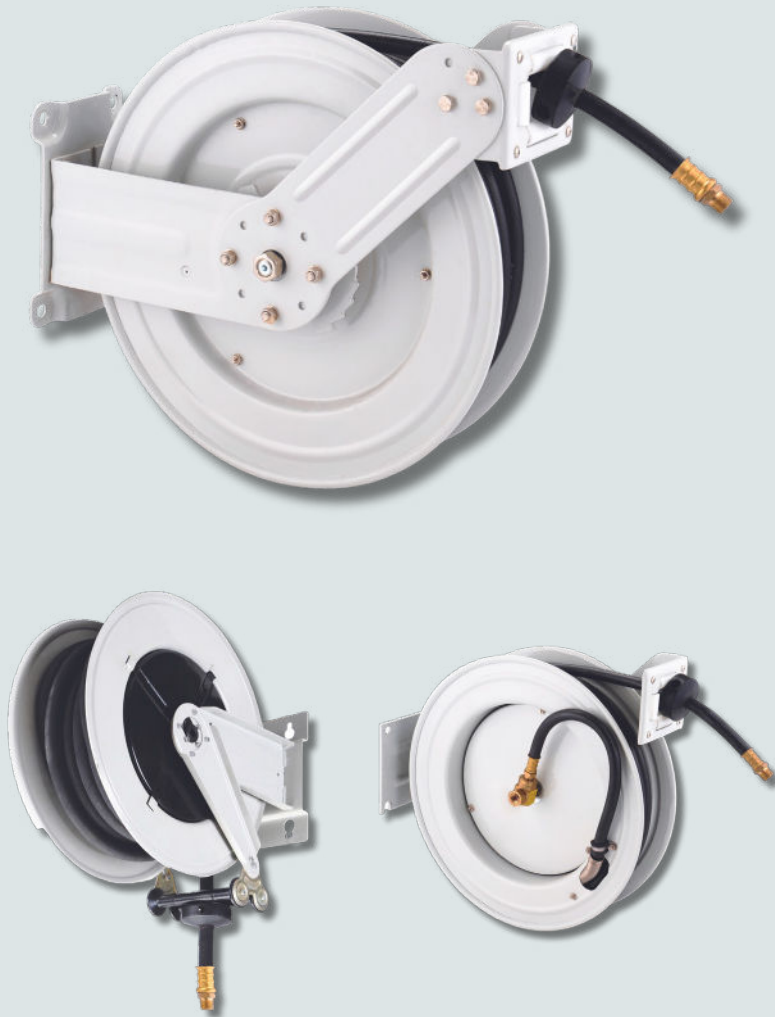


AIR HOSE REELS



PROREEL
HOSE REELS

Applications

- Industrial & Commercial
- Auto/Truck Service Centers
- Utility Vehicles
- Manufacturing Facilities
- Municipal Garages & Service Centers







Features

- Professional-grade all-steel construction for maximum service life.
- German engineered and manufactured all-weather flexible hybrid rubber hose (-40°F to 140°F)
- White powder coated steel construction
- 300 PSI working pressure
- Multi-position guide arm provides versatile positioning and stability
- Heavy duty metal base
- Mountable on walls, ceilings, floor or vehicle.
- Industrial grade solid brass fittings
- Guide rollers to prevent abrasion and wear on the hose
- Adjustable ball stop

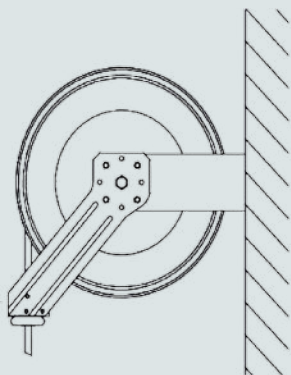
Options

- Single or dual arm
- 50 or 100 foot hose
- 1/2" or 3/8" hose diameter
- Other options available upon request

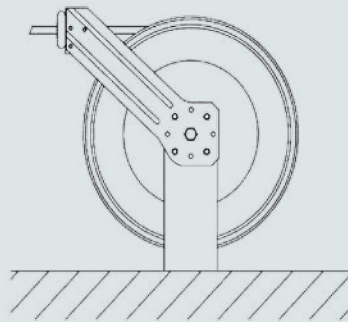
Contact Us: 716.648.1048
Info At: www.alertreels.com

Image	Model #	Description	Hose Diameter	Hose Length
	HRG9-A30K	Steel air hose reel with single arm Dimensions: 17.9" x 6.7" x 18.7"	3/8"	50 ft
	HRH9-A30U	Steel air hose reel with single arm Dimensions: 21.3" x 8" x 20"	3/8"	100 ft
	HTK9-A30K	Steel air hose reel with dual arm Dimensions: 19.3" x 7.3" x 17"	3/8"	50 ft
	HTL9-A30U	Steel air hose reel with dual arm Dimensions: 19.7" x 8.3" x 22.5"	3/8"	100 ft
	HTM9-A40K	Steel air hose reel with dual arm Dimensions: 19.5" x 8.2" x 17.5"	1/2"	50 ft
	HTV9-A40U	Steel air hose reel with dual arm Dimensions: 22.6" x 13" x 21"	1/2"	100 ft

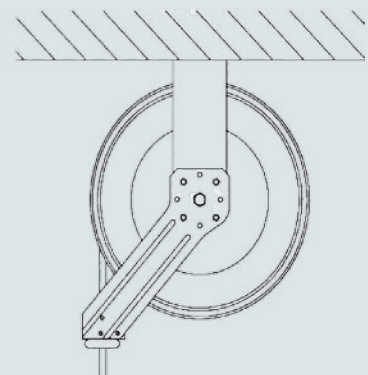
Mounting:



Wall



Floor



Ceiling